
INSTALLATION AND USE INSTRUCTION

ITEM: 5690 Tilt and 90° Rotating WallMount Bracket for Flipboard 55" (LH55WMHPTXC)



Warning

For correct and safe use

This manual contains instructions and drawings for correct and safe use of the product. Non-compliance with descriptions and drawings and/or improper use of the product could cause the effects specified below.

Please note the following hazard symbols before reading the remainder of this session, and follow the instructions thoroughly.



Danger: any failure in observing these instructions could lead to death or serious injuries.

Warning: any failure in observing these instructions could lead to failure or damage to objects.

Meaning of the symbol: the  symbol warns against doing something



Special precautions for safety.

Danger



- Follow the instructions reported in this manual about the installation method. Any failure in observing these instructions could lead to damage or injuries due to MONITOR set or other objects falling down.
- Please use qualified personnel for installation
- Make sure that the wall where the MONITOR set has to be installed can bear the weight of the MONITOR set itself.
- Do not apply any other weight to the MONITOR set or the bracket. This could make the MONITOR set fall down and cause injuries or damage to objects.
- Do not change or alter the components for installation. This make the MONITOR set fall down and cause injuries or damage to objects.

Warning

Carry out the installation in places without humidity or dust.

-  - Do not install the MONITOR screen in places with a high degree of humidity and dust. This could bring about fire or electric shocks.
-  - Do not install the MONITOR screen in places where it could get in contact with fumes or vapours. This could bring about fire or electric shocks.

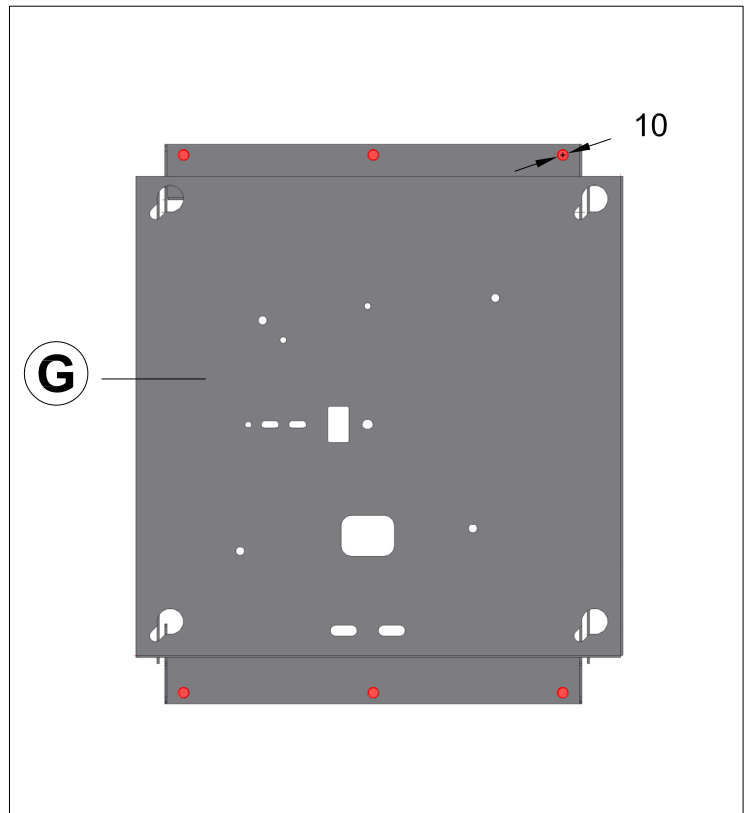
Carry out the installation in a well vented area.

-  - Do not obstruct the holes for air passage on the MONITOR screen. This could bring about fire.
-  - Do not place the MONITOR set in a poorly vented place.

Please take careful note of the following: use qualified personnel for the installation. The producer will not bear responsibility for any improper installation or any accident, damage or injury that may come arise from incorrect installation.

1 Bracket fixing

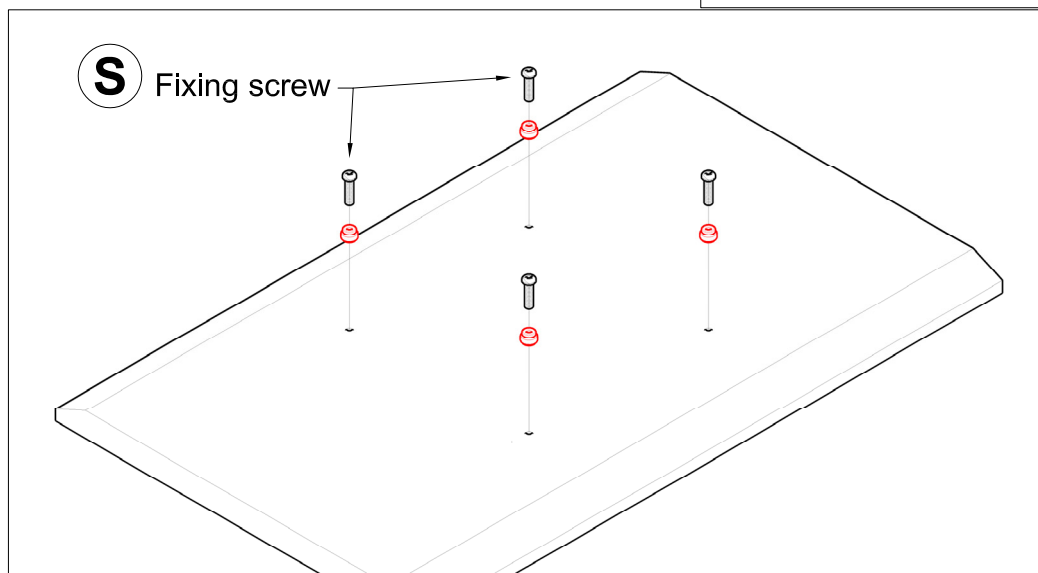
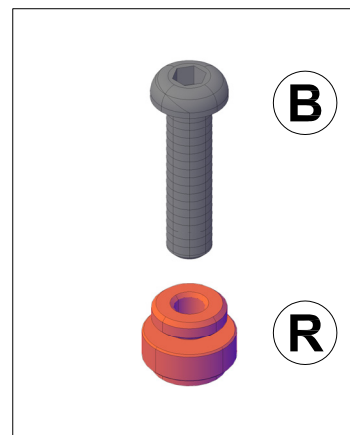
Mount the bracket (G) on the wall (see holes indicated in red) using fixings suitable for the purpose and type of wall and check the tightness of the anchors used



2 Ring and bolts on monitor installation

2.1 Assemble the adjustable ring (R) with the threaded bolt (B).

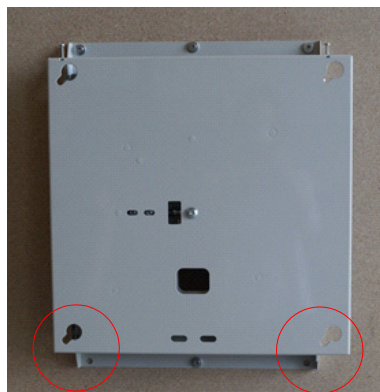
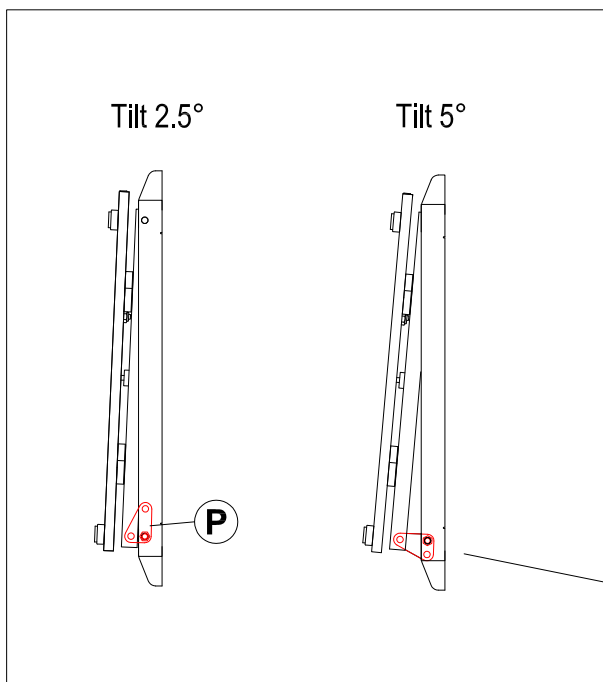
2.2 Mount on the back of monitor the adjustable ring (R) + Threaded bolt (B) with the screw (S).



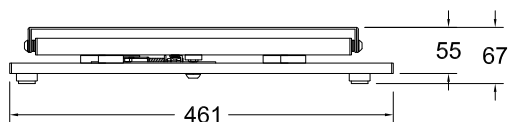
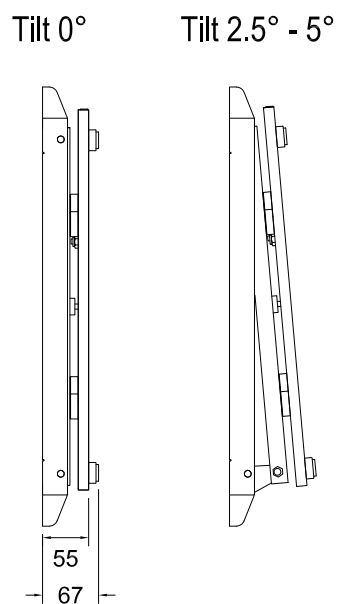
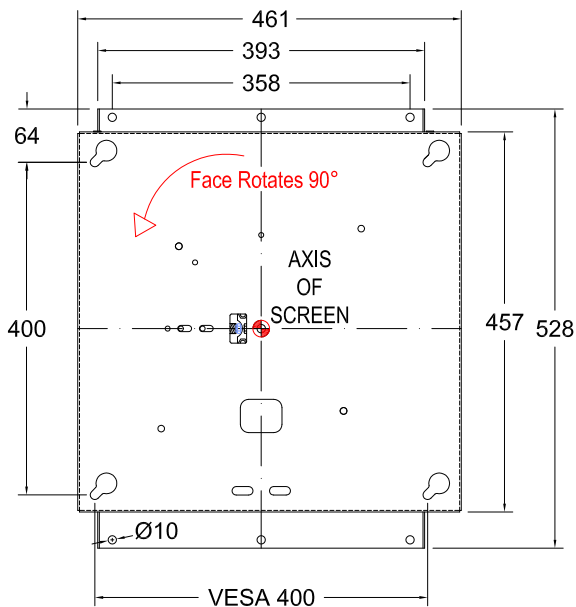
IF NECESSARY IT IS POSSIBLE TO MOUNT THE BRACKET WITH TWO DIFFERENT TILT: 2.5° AND 5°

3 TILT SETTING: Tilt 2,5 - 5°

3.1 Assemble the the tilting plates (P) to the bottom sides of the btracket



4 DIMENSIONS



WEIGHT MAX LOAD 35 kg