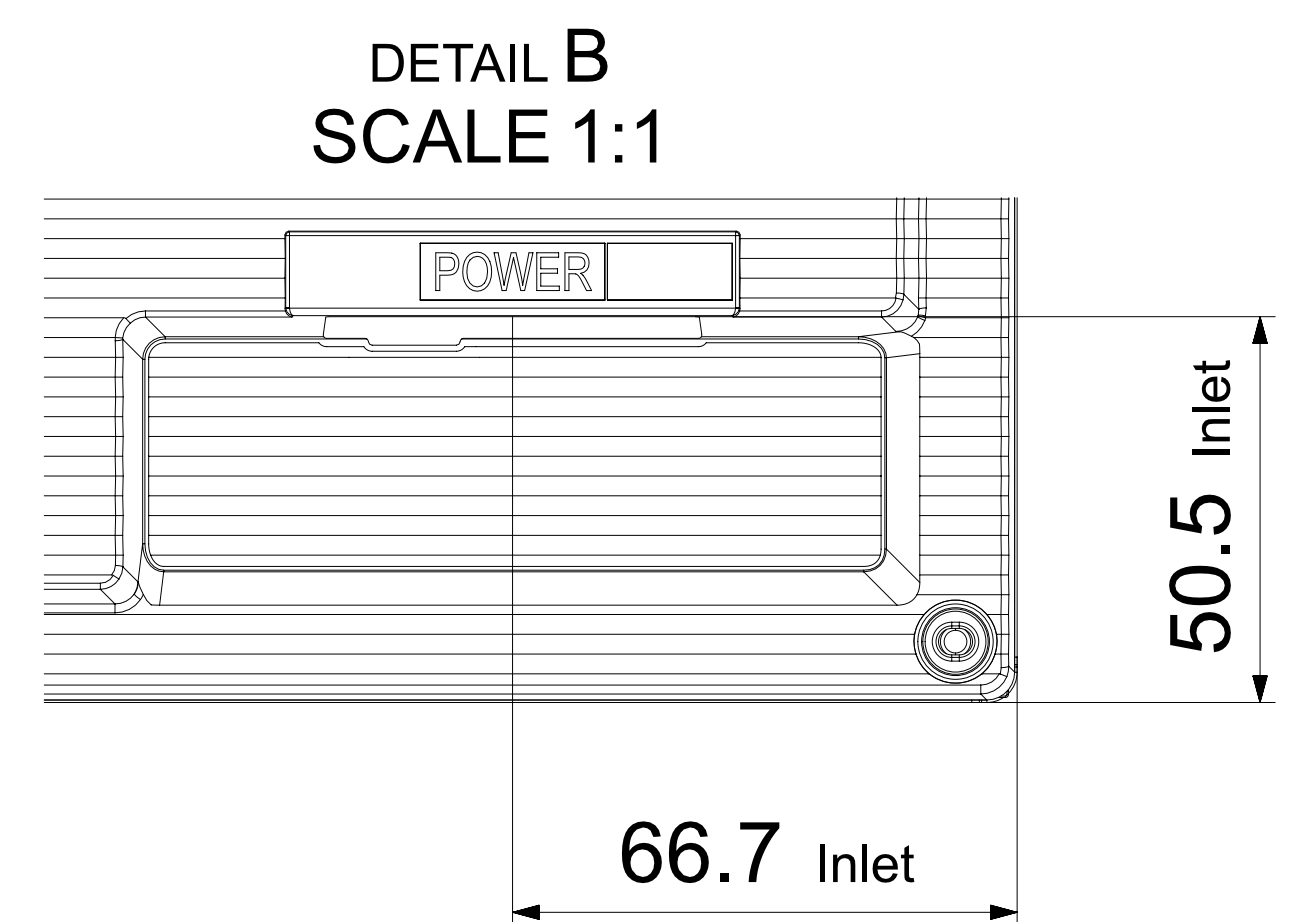
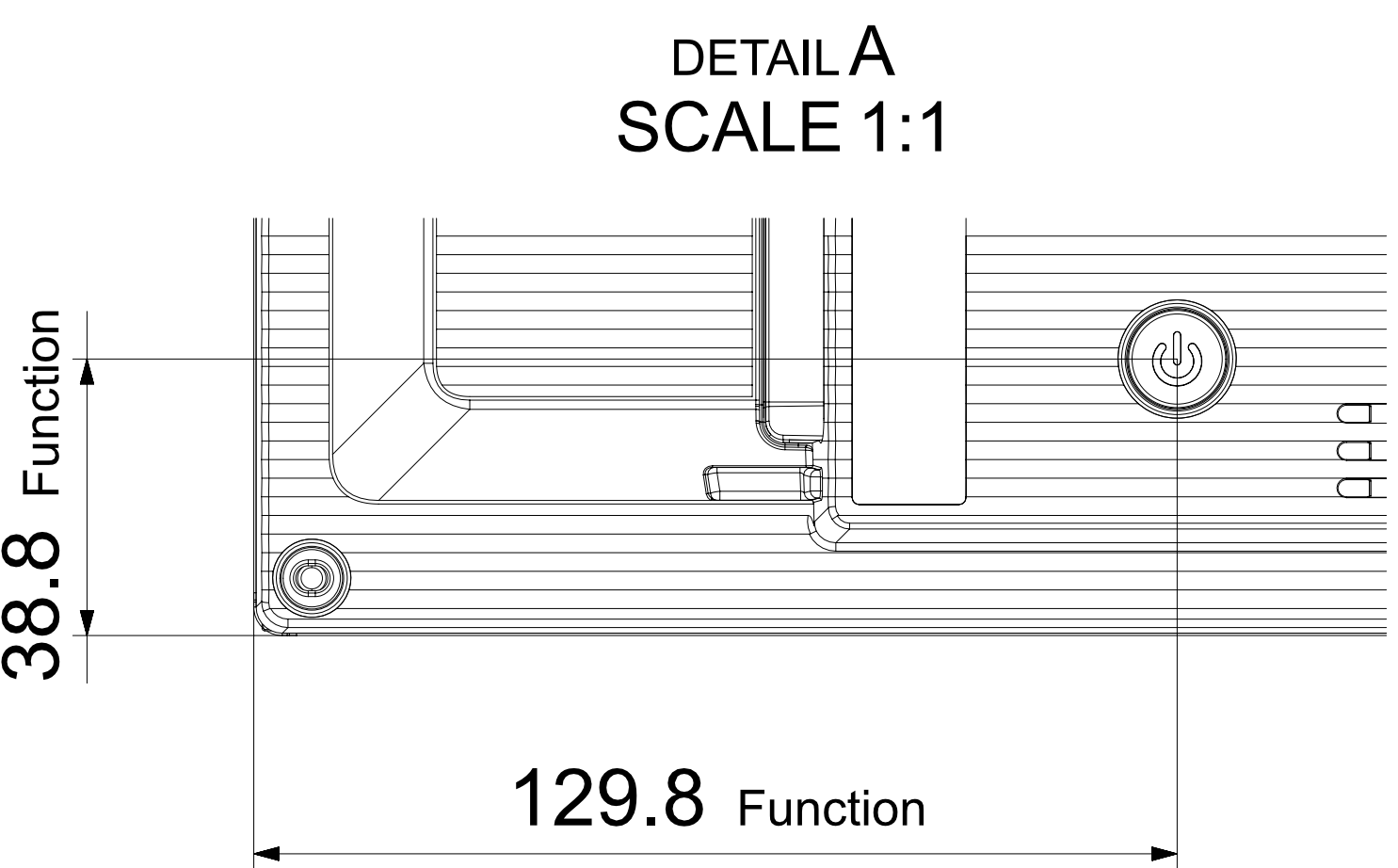
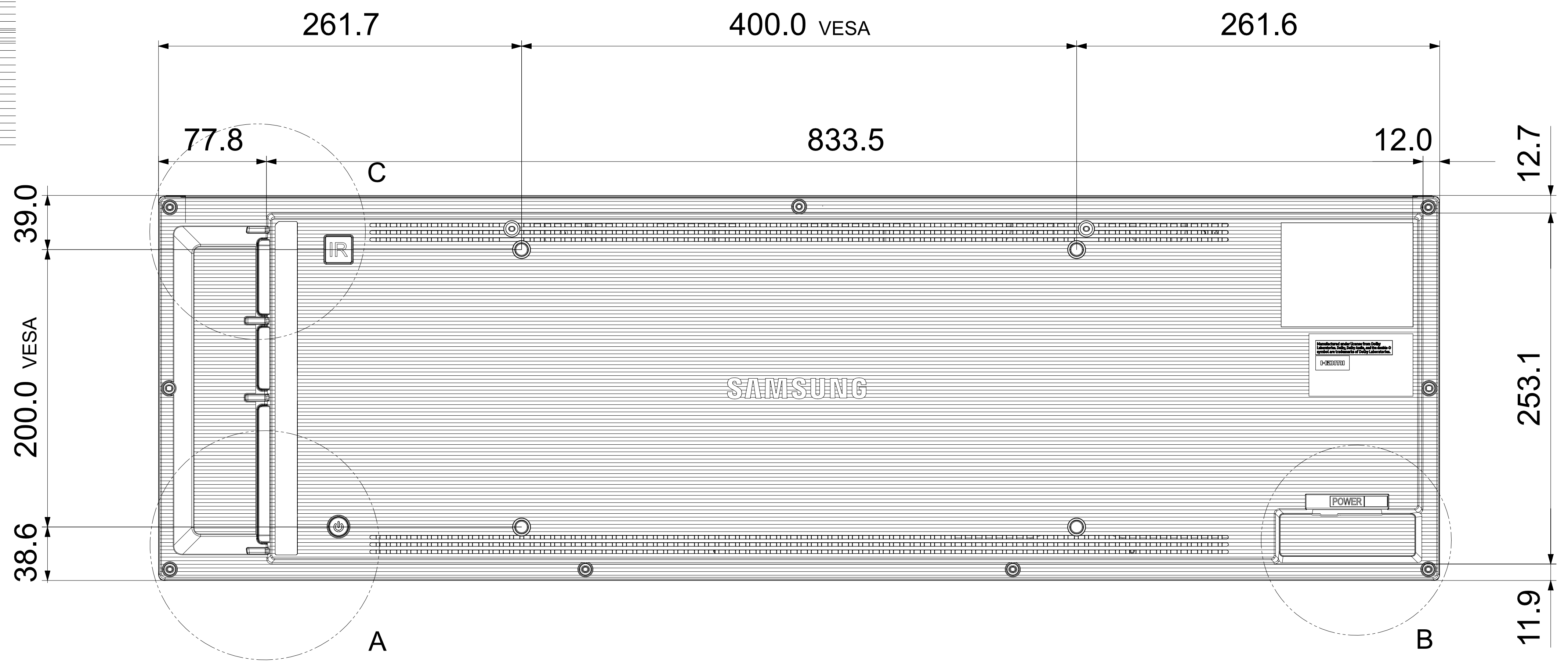
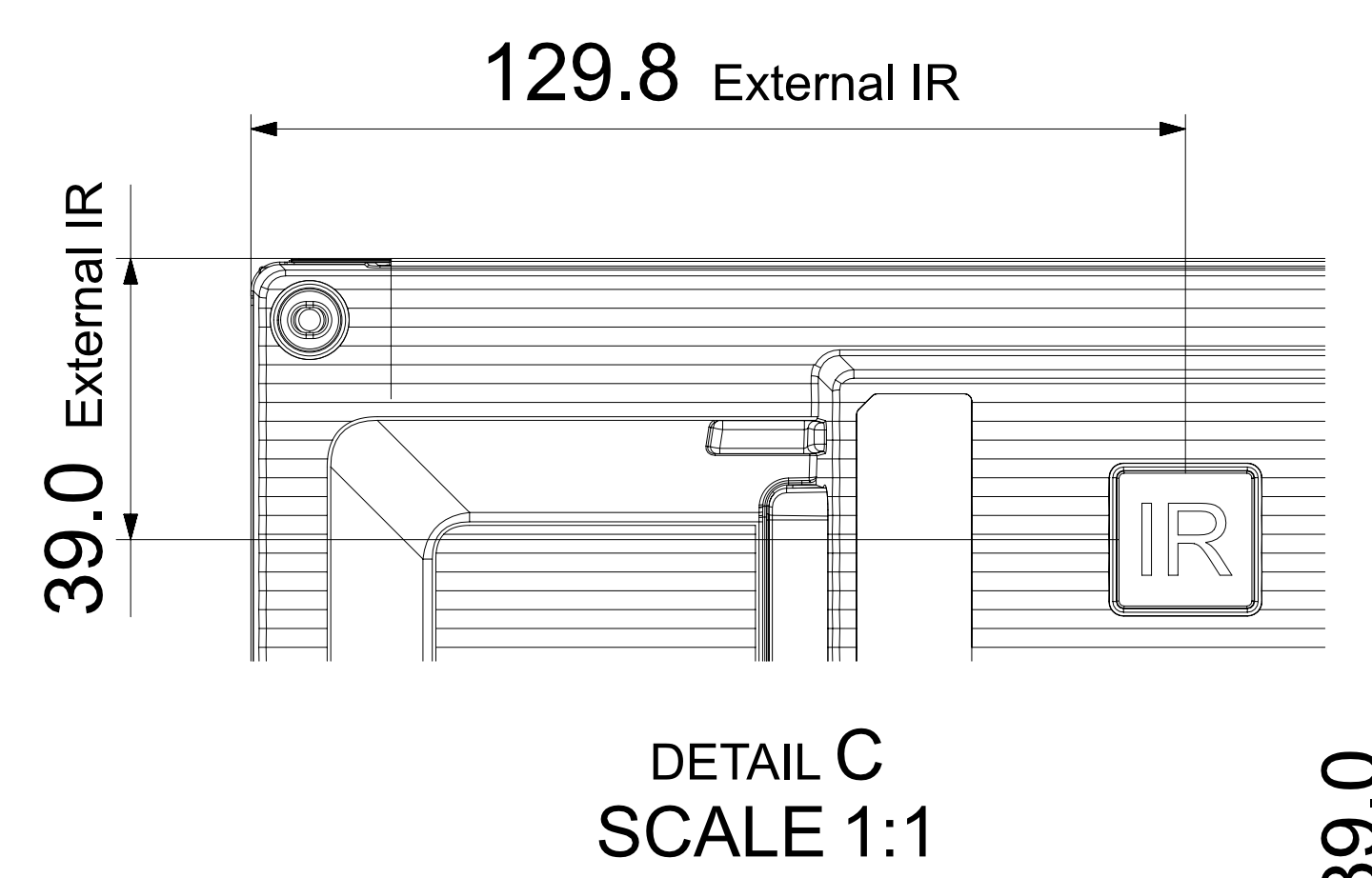
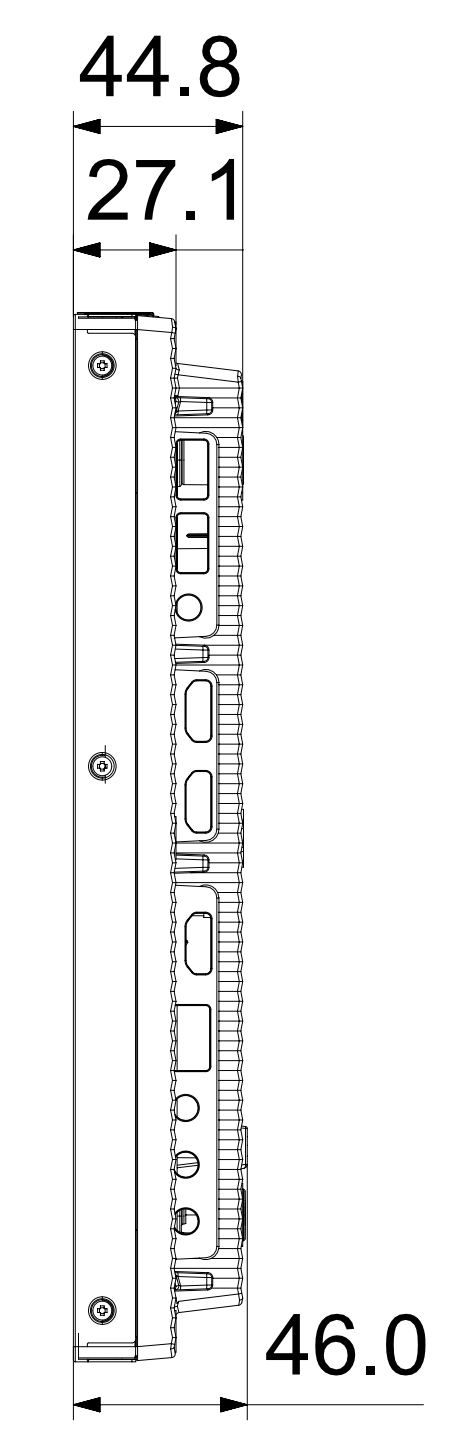


This drawing is property of SDC. Use or copy of this drawing without proper permission of the appropriate technical document managing department is prohibited. Copy with the threshold of substances which are specified in 00A-2009

Rev. No	32	33	34
ED	CODE	RECORD	REMARK

37SHC SET DIMENSION_240108



PART NAME	ASSY SET-Y23 SHC 37	SPECIFICATION	
UNIT	MM	DRAWING BY	REVIEWED BY
TOLERANCE		APPROVED BY	PROJ. EC
SCALE			TION
			SHEET NO
			/
			DWG. Rev