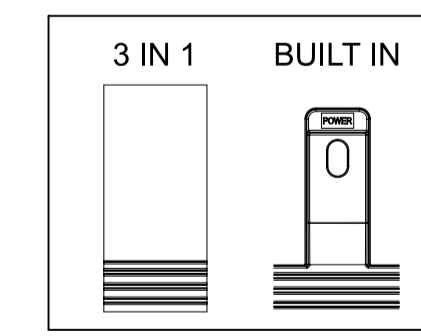
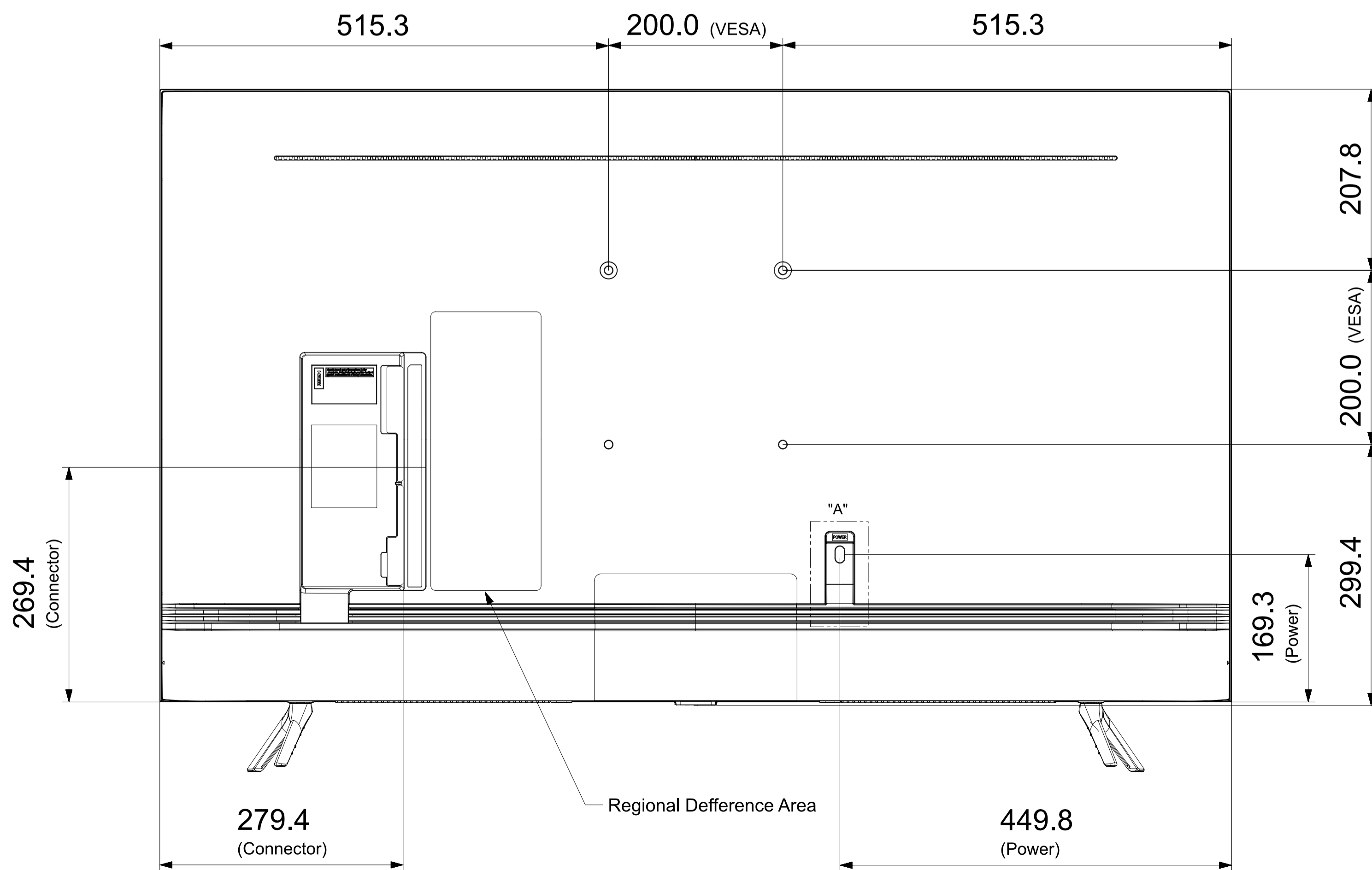
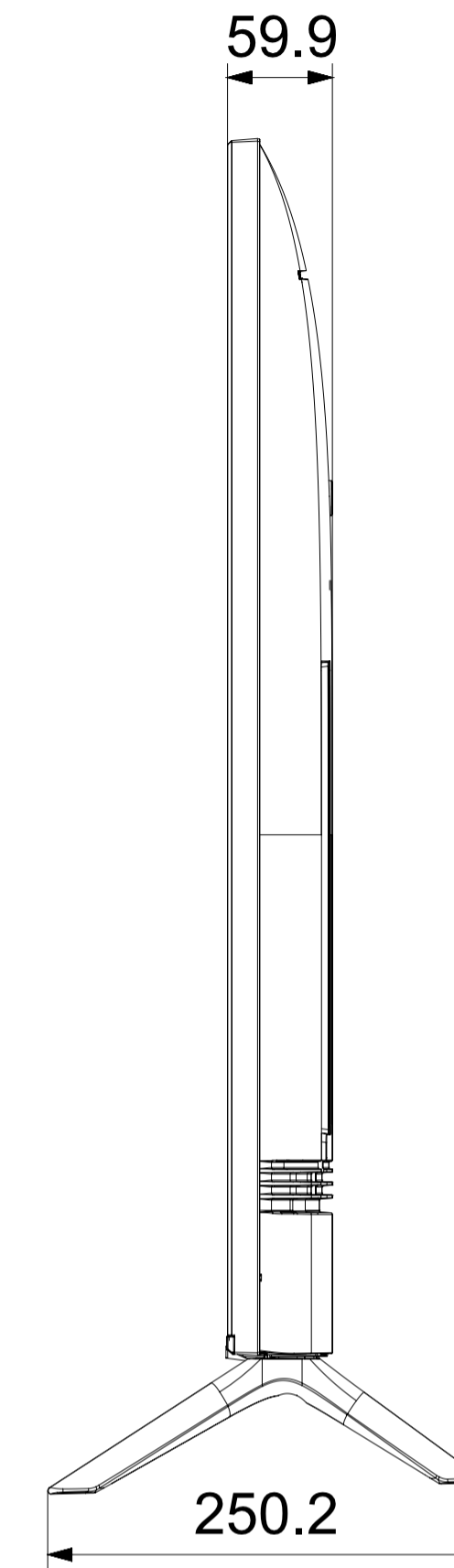


# 55\_BEA-H SET DIMENSION

Rev.No			
ED	CODE	RECORD	REMARK



	NATION
BUILT IN	KR/ZD
3 IN 1	EN/ZX/ZP/ZS/ZB/XY/XD/XV/XS/XM/XP/XL/CI

(NOTE)  
**SET SIZE(Without Stand) : 1230.5x707.2x59.9**  
**SET SIZE(With Stand) : 1230.5x783.3x250.2**  
**VESA HOLE : 200x200**

PART NAME	ASSY SET-Y21 BEA 55"	SPECIFICATION	Mechanical Drawing
UNIT	MM	DRAWING BY	PROJECTION
TOLERANCE		REVIEWED BY	
SCALE	1 : 4	APPROVED BY	
			SHEET NO
			/
			DWG. Rev