

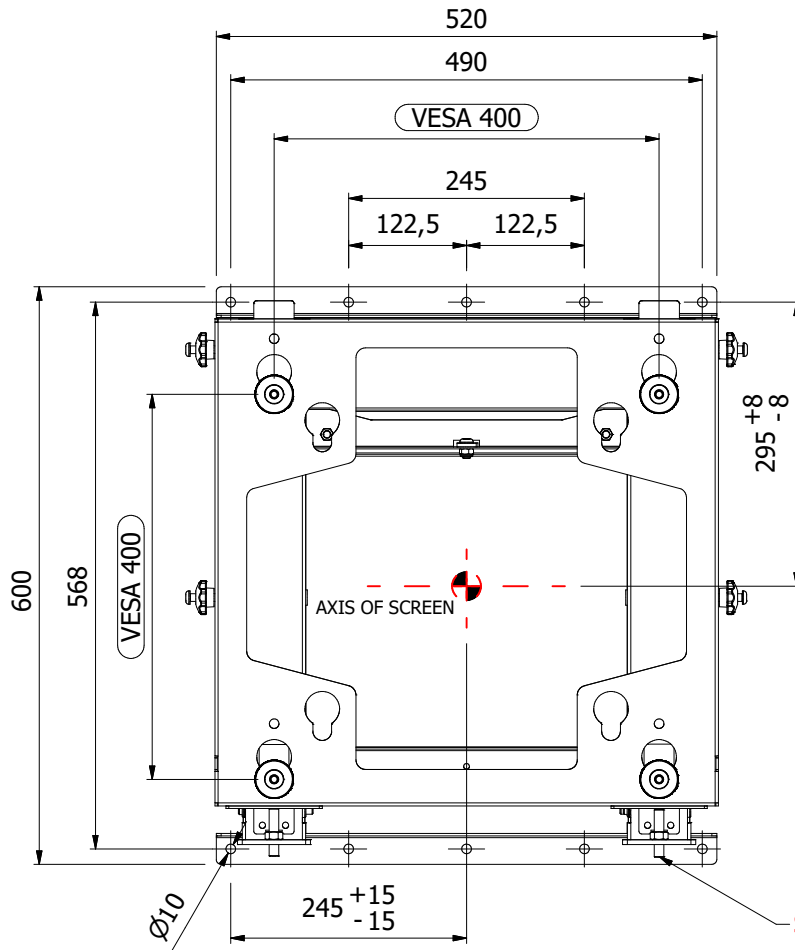
# BRACKET PUSH AND PULL WEIGHT MAX LOAD 150 Kg

Rev. : 01 Date : 30/10/2019

Code : 5920

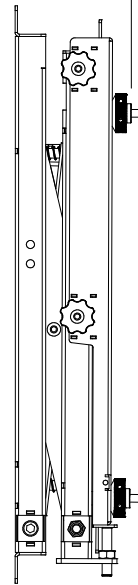


**WEIGHT MAX LOAD 150 Kg**



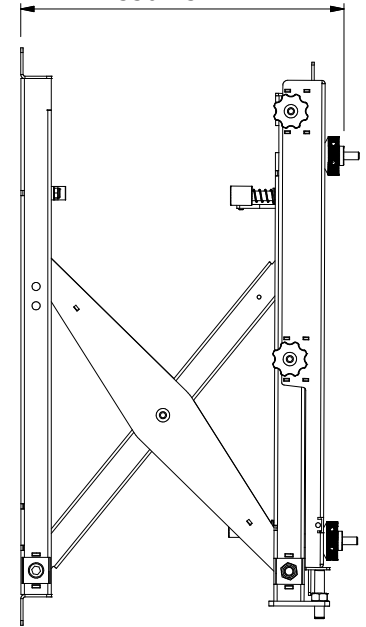
CLOSED

121 - 132



OPEN

336 - 347



SCREWS FOR VERTICAL  
ADJUSTING +/- 8 mm

