

CARAVEL 100

Multi-functional and professional mobile stand
 For screen sizes: 55-86"
 Max capacity: 90.9kg / 200lbs
 AV shelf max load: 25lbs / 11.4kg
 VESA: 200x200-800x600mm

WARNING!

Severe personal injury and property damage can result from improper installation or assembly. Read the following warning carefully before beginning.

- If you do not understand the instructions or have any concerns or questions, please contact a qualified local installer.
- Do not install or assemble if the product or hardware is damaged or missing, if you require replacement parts, please contact your local distributor for assistance.
- This product fits most 55 -86" LCD/plasma screen; maximum weight of LCD/plasma screen: 200lbs/90.9kg; AV shelf max load: 25lbs/11.4kg.
- Do not use this product for anything other than the original design.
- This product contains moving parts, please use with caution.
- The manufacturer disclaims any liability for the modifications, improper installation, or installation over the specified weight range. The manufacturer will not be liable for any damages arising out of the use of, or inability to use, the product.
- ▶ All images are for reference, to prevail in product.

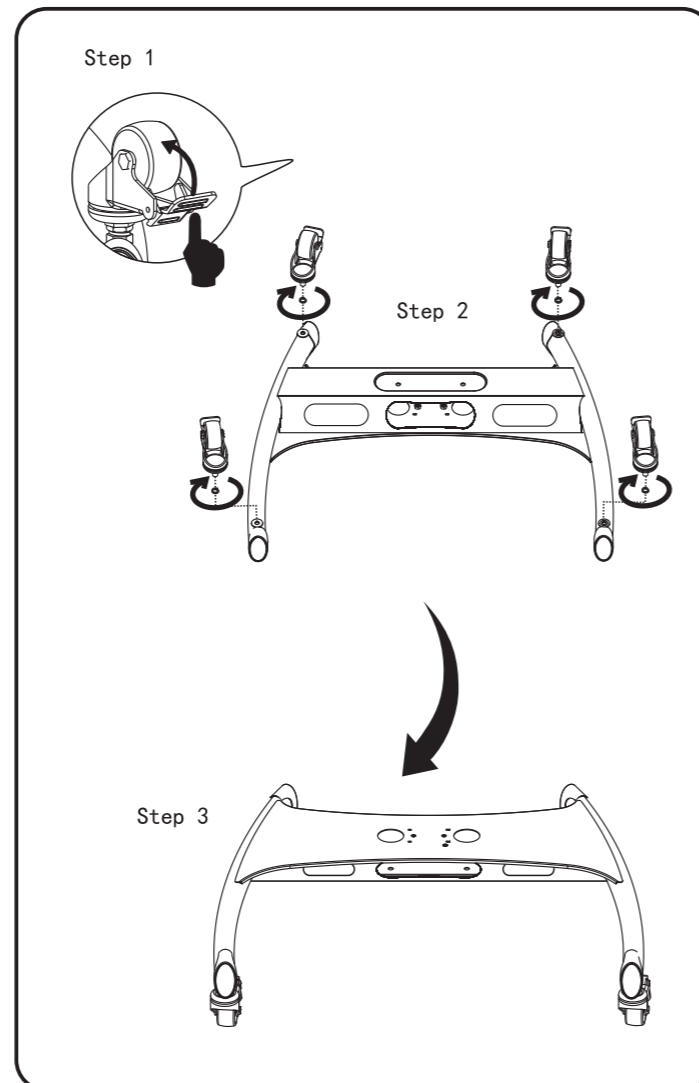
Manual

Tightening Direction	Loosening Direction	Phillips Screwdriver	Metre Rule	Adjustment	By Hand	Hex Wrench

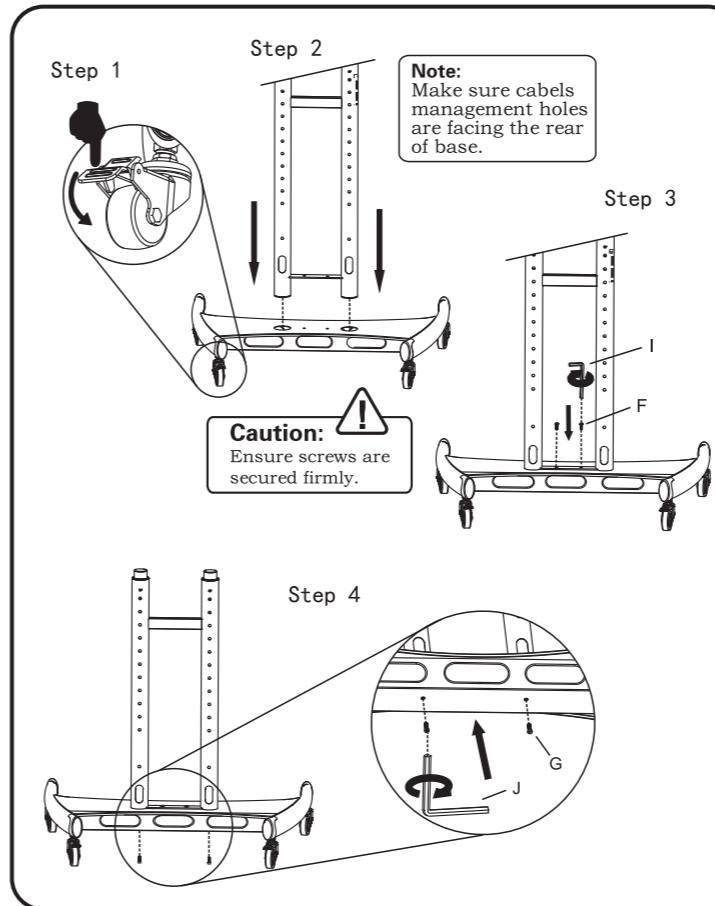
Parts List

1X		1X		1X					
1X				4X					
1X		1X		1X		2X		2X	
A	B	C	D	E					
4X	4X	4X	4X	4X					
M5×25mm	M6×25mm	M8×25mm	Φ16×Φ6.2×1.5mm	Φ17×8.2×H12mm					
F	G	H	I	J					
2X	2X	4X	1X	1X					
M8×20mm	M8×20mm	M8×60mm	M5	M6					

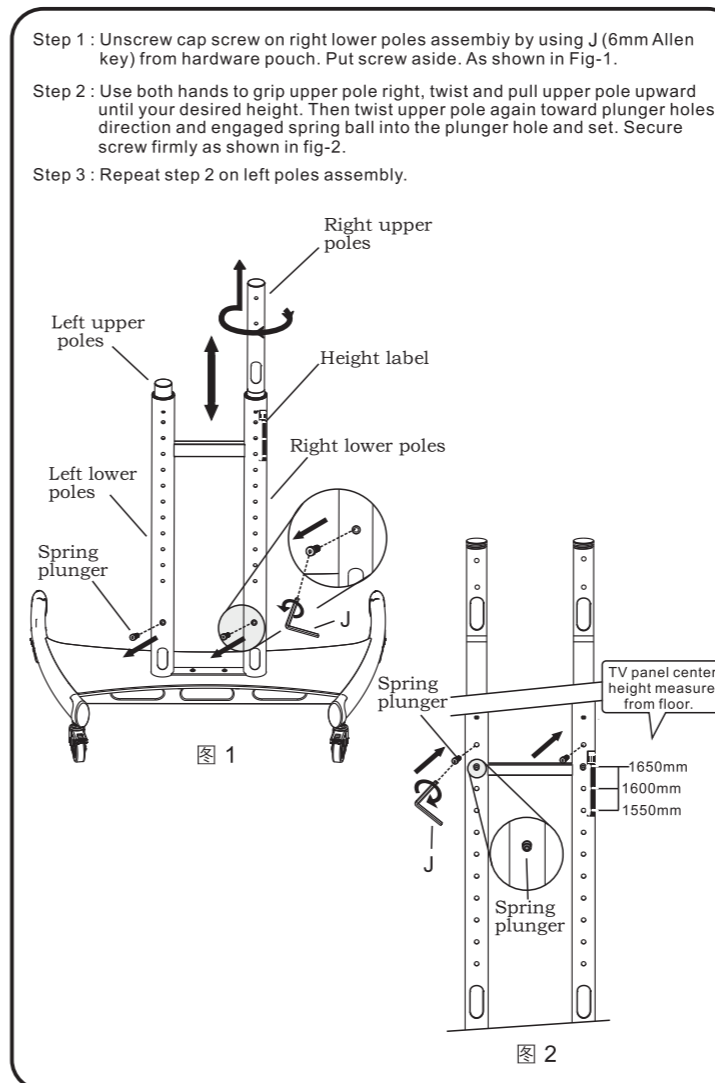
1. Castor wheels to base installation



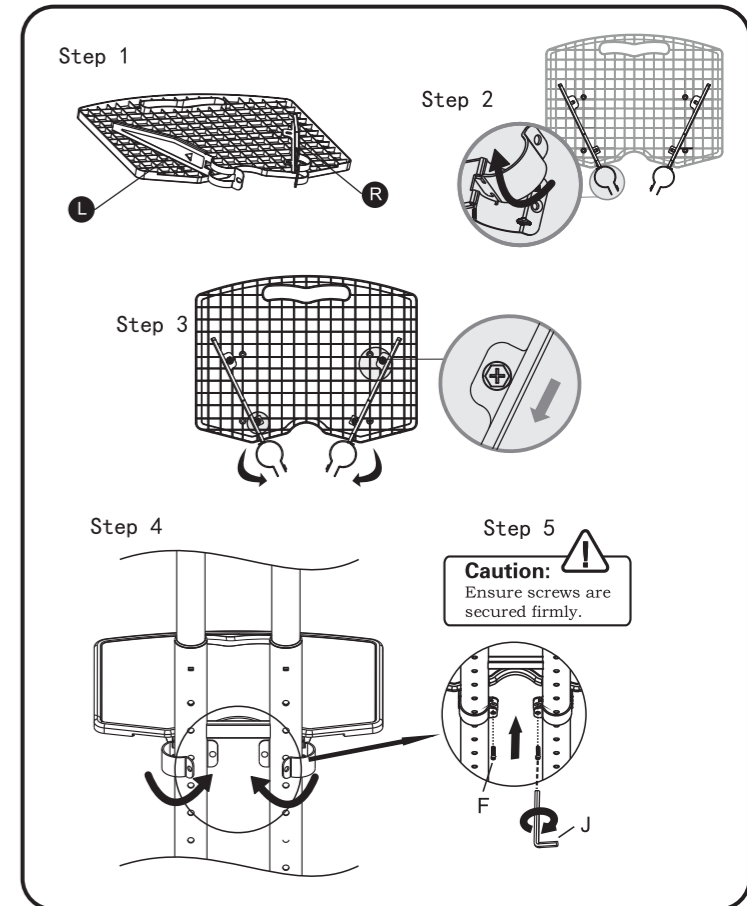
2. Post assembly to base installation



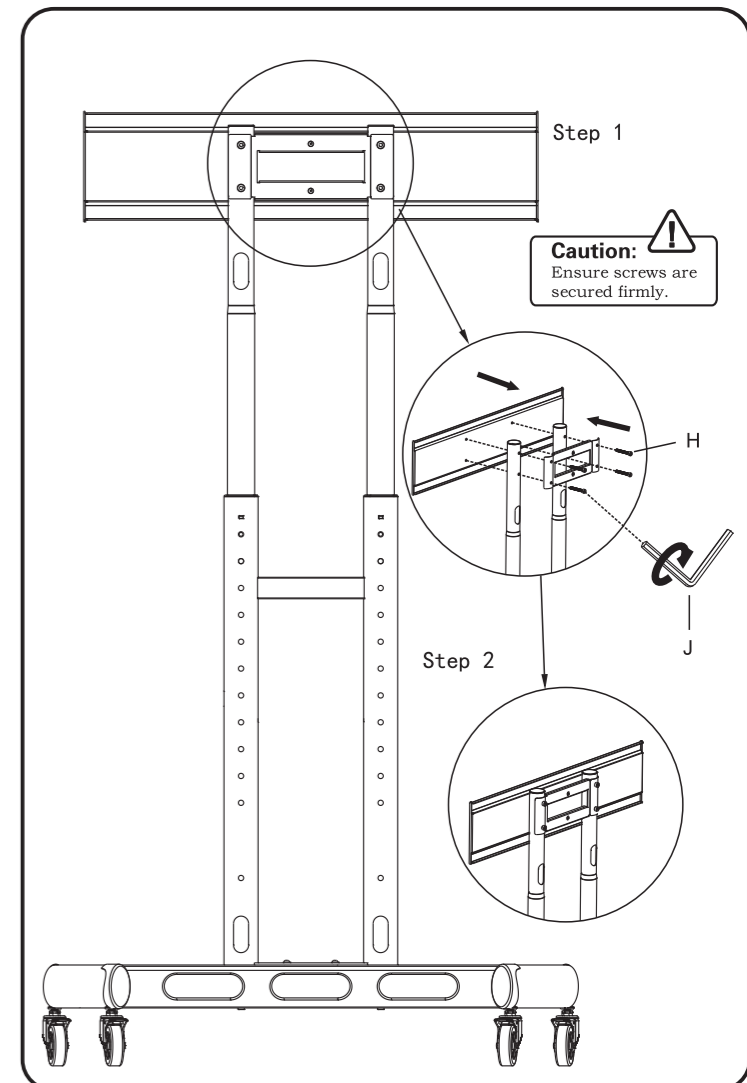
3. Install telescopic mounting poles



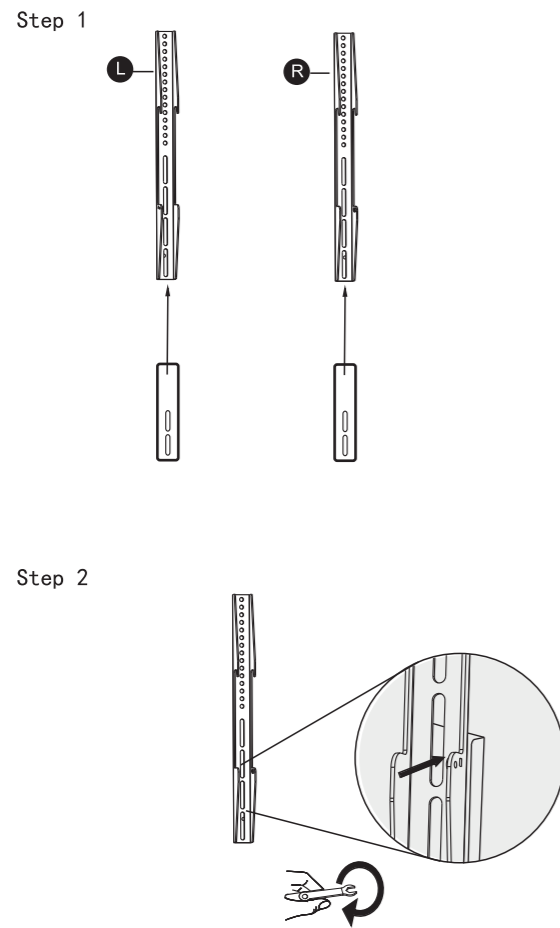
4. AV shelf assembly and installation



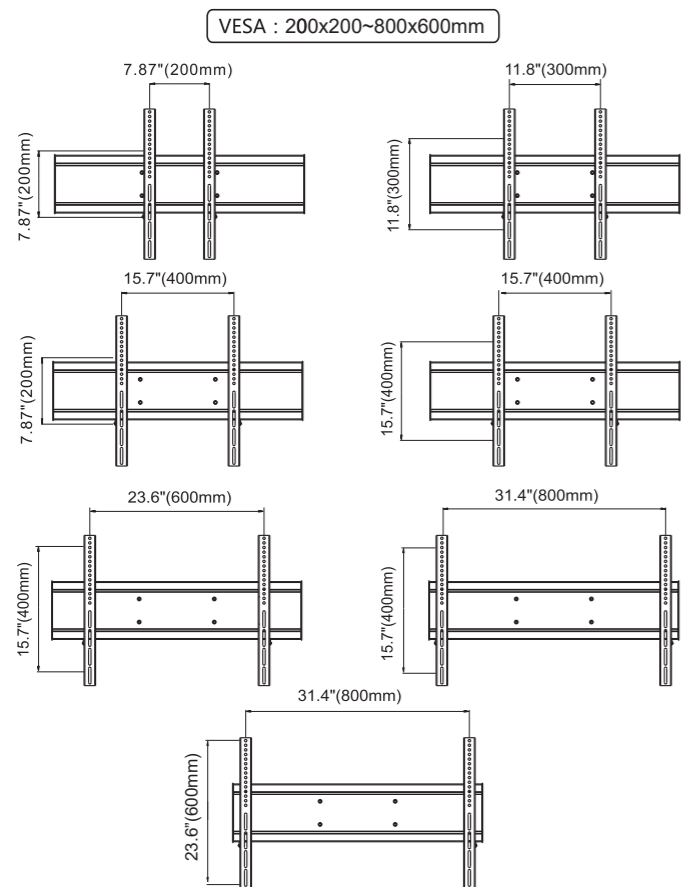
5. Installation of interface



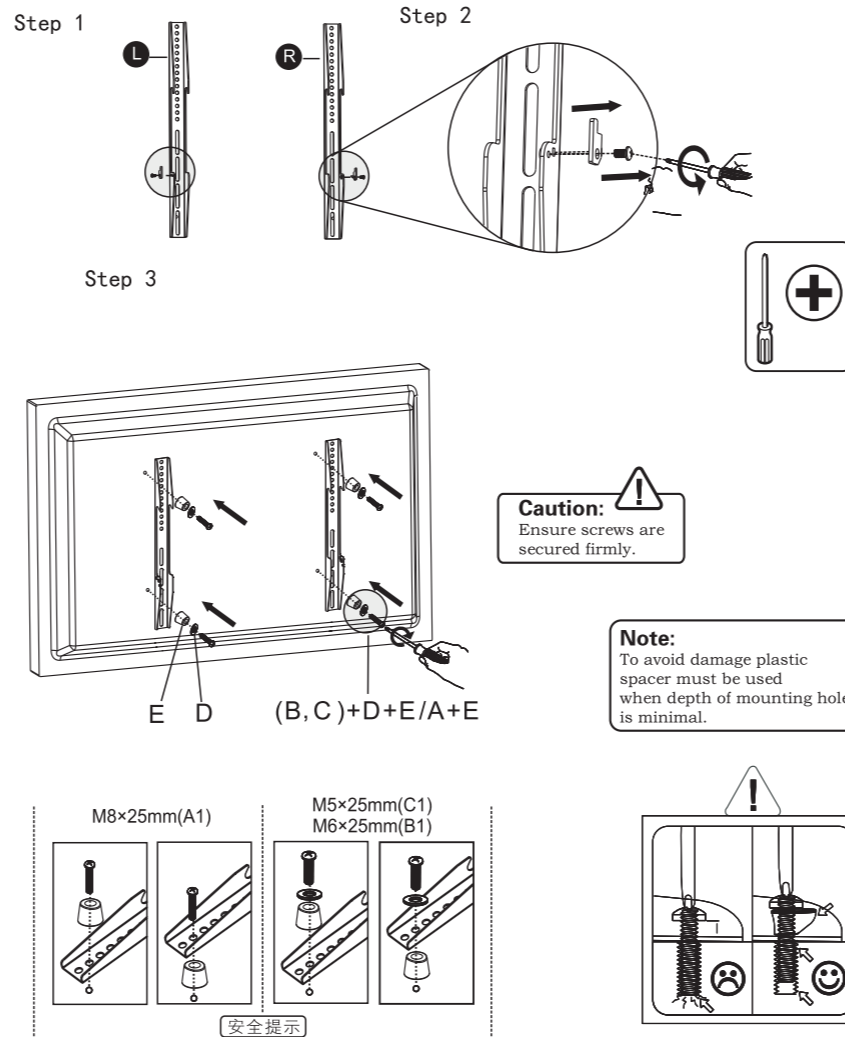
6.



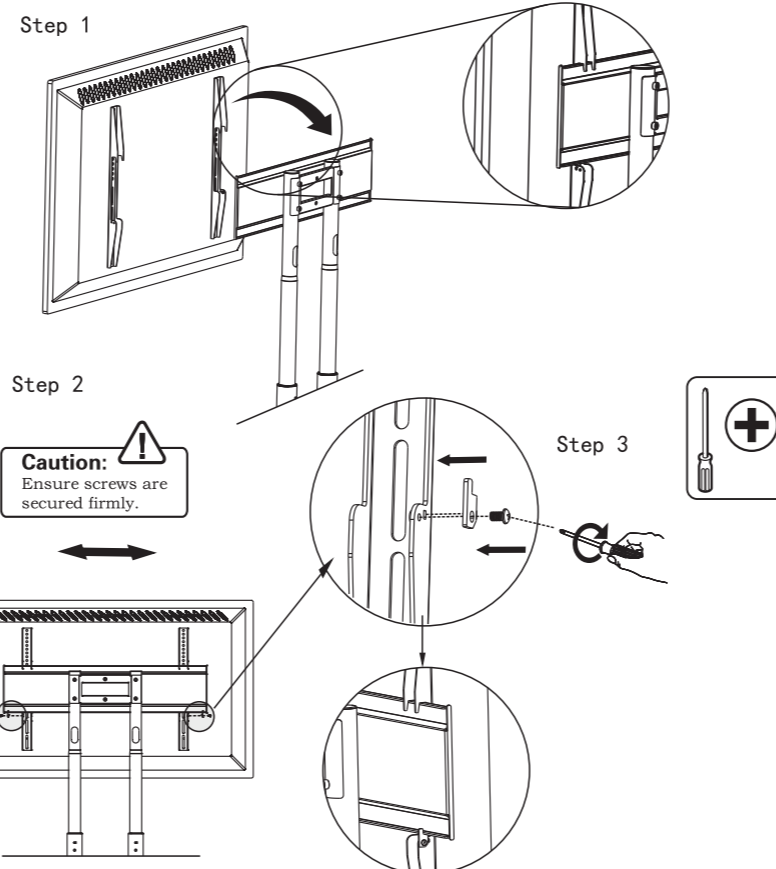
7. VESA mounting patterns



8. Selection of TV mounting patterns

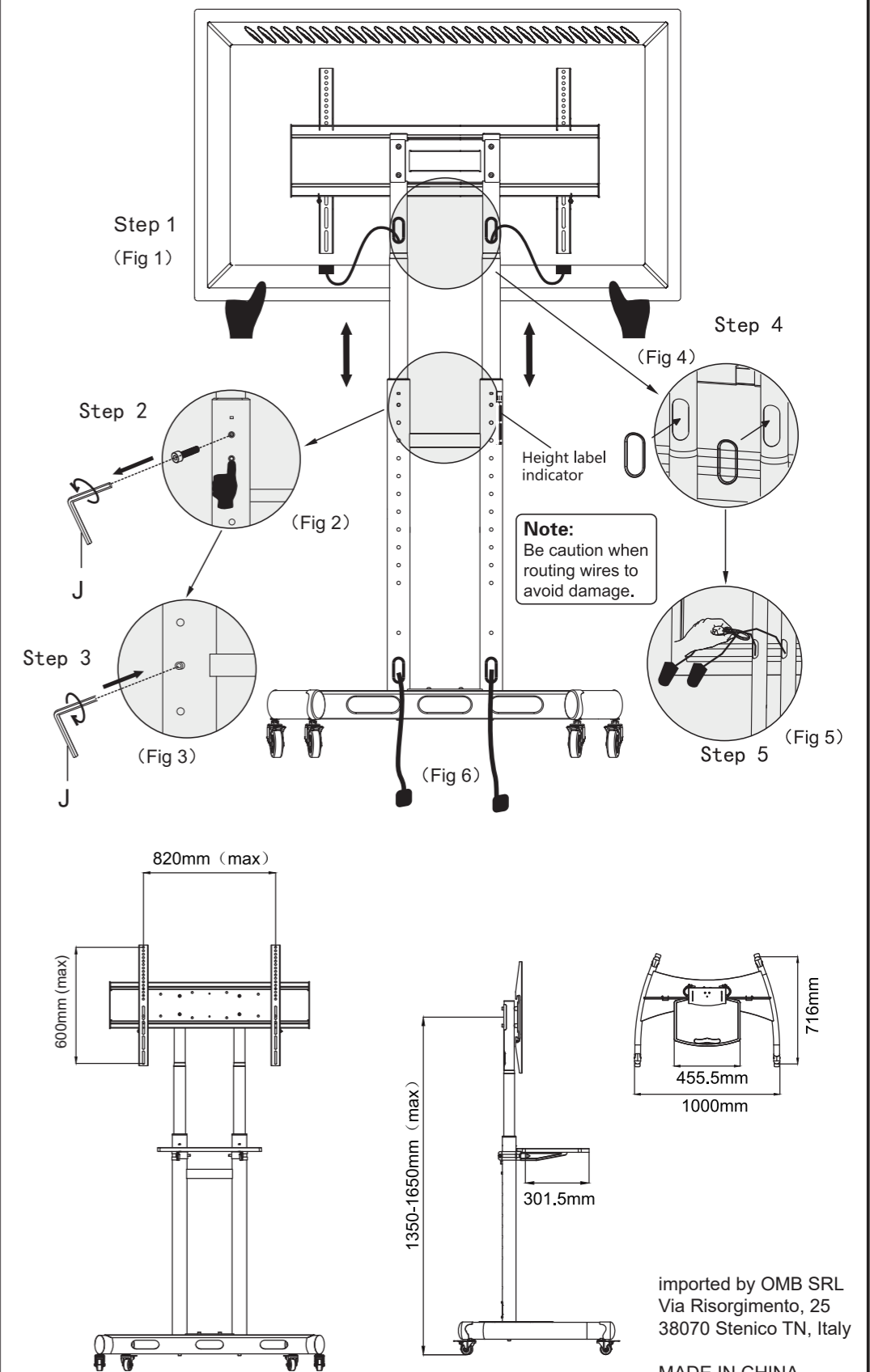


9.



10. List of TV height adjustment threading steps and technical parameters

- Step1: To re-set TV height, need 2 man, 'A' man holds TV bottom by 2 hands as shown in fig 1.
- Step2: The 'B' man simply unscrew 2X safety screws from left and right poles by using J (6mm Allen Key) from hardware pouch, put screws aside, He the depress 2 spring balls on poles by using his thumbs, so that 'A' man can let goes TV down or up directions to desire viewing height, using height label indicator on pole as reference as shown in Fig 2.
- Step3: When height is determined, the let spring balls set into plunger holes respectively secure 2X safety screws firmly as shown in Fig 3.
- Step4: Routing cables and wires from TV sockets through poles' upper cables windows and lowre cables windows as shown in Fig 4,5, and 6.



imported by OMB SRL
Via Risorgimento, 25
38070 Stenico TN, Italy
MADE IN CHINA