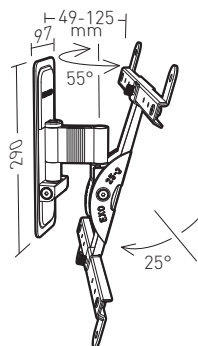




EXO 400TW1 30°-55° 76-140 cm

Tilting and swivelling aluminium wall mount - Offset 125 mm - 2 swivel axis

Ref. **048140** EAN Code 318528 048140 8




MAXI 25 KG

 25°

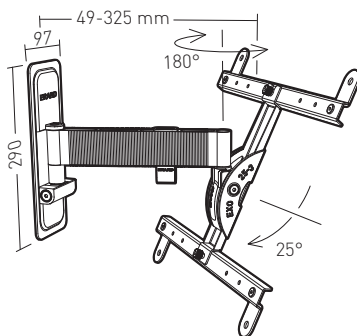
 60°


VESA
L200 > H400

EXO 400TW2 30°-55° 76-140 cm

Tilting and swivelling aluminium wall mount - Offset 325 mm - 2 swivel axis

Ref. **048240** EAN Code 318528 048240 5




MAXI 25 KG

 25°

 180°

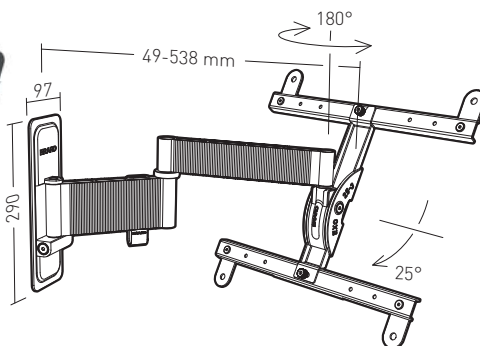

VESA
L200 > H400



EXO 400TW3 30°-55° 76-140 cm

Tilting and swivelling aluminium wall mount - Offset 538 mm - 3 swivel axis

Ref. **048340** EAN Code 318528 048340 2




MAXI 25 KG

 25°

 180°

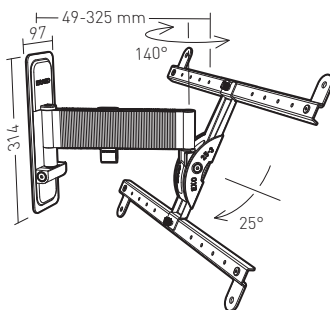

VESA
L200 > H400



EXO 600TW2 XL 40"-75" 02-190cm

Tilting and swivelling aluminium wall mount - Offset 325 mm - 2 swivel axis

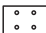
Ref. **048260** EAN Code 318528 048260 3




MAXI 35 KG

 25°

 140°

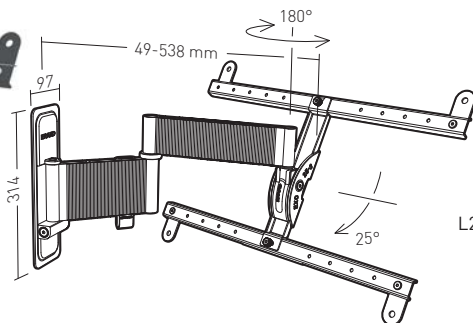

VESA
L200>H600X400



EXO 600TW3 XL 40"-75" 02-190cm

Tilting and swivelling aluminium wall mount - Offset 538 mm - 3 swivel axis

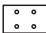
Ref. **048360** EAN Code 318528 048360 0




MAXI 35 KG

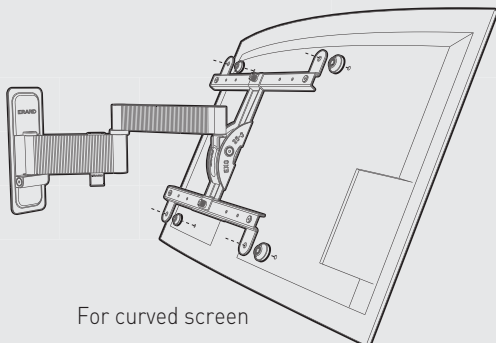
 25°

 180°

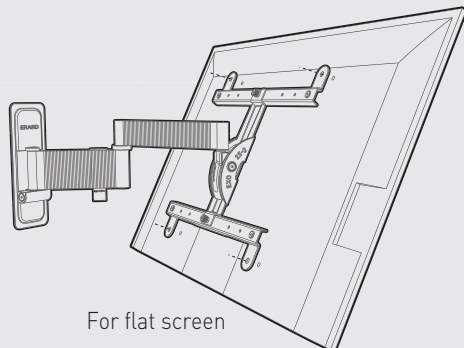

VESA
L200>H600X400



Compatible with flat AND curved screens



For curved screen



For flat screen

EXO Range

TECHNICAL CHARACTERISTICS

- Tilting and swivelling
- Off-centre spacers to correct horizontality after drilling
- Patented micro adjustment for horizontality
- Texturized anodized aluminium arm, Titanium colour epoxy painting
- Screen and wall mount made of steel, black epoxy painted
- Compatible with flat and curved screens (screws and spacers included)

