

MOD-FCSKIT300(-B)



VESA[®] Pattern
600 x 400mm



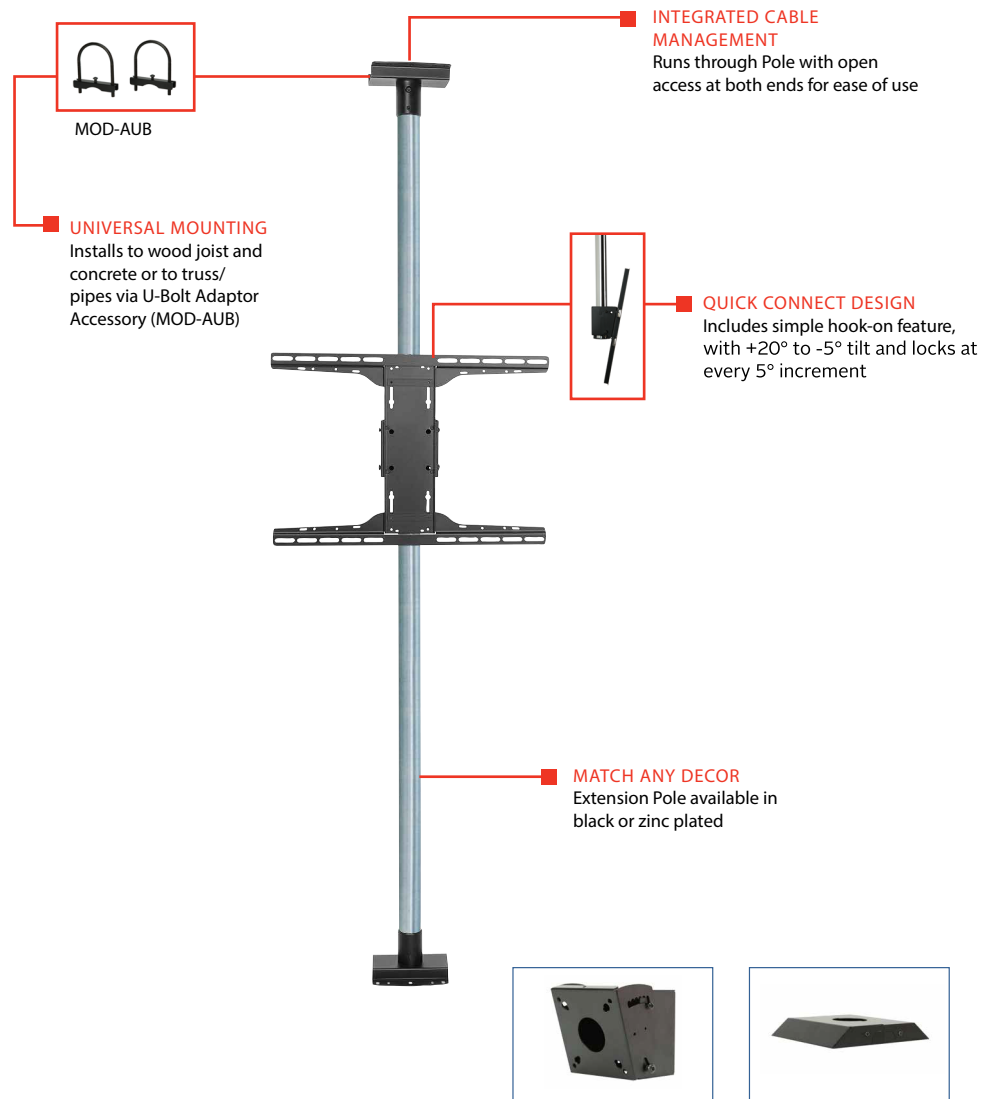
Max load
132lb (60kg)
per display

Modular Series Floor-to-Ceiling Kit

FOR UP TO 75" DISPLAYS

The Peerless-AV[®] Modular Mount Series includes a small and easily manageable number of components to fulfill a vast majority of end-user requirements. Designed around a 2" (50mm) diameter Extension Pole, the line is ideal for new projects as well as upgrading existing installations. As part of the Peerless-AV Modular Series, the MOD-FCSKIT300 includes all components required to mount your display. This kit can be expanded with Modular accessories to accommodate additional displays or alternative configurations to achieve the perfect custom mounting solution.

- Kit includes:
 - Flat Ceiling/Floor Plates
 - 118" (3m) zinc plated or black Extension Pole
 - Single Display Flat Panel Mount
 - Display Stacking Clamp
 - Large Universal Adaptor
- Heavy-duty Flat Plate mounts to wood or concrete ceilings and floors
- Universal Display Adaptor for up to 75" displays with VESA[®] mounting patterns up to 600 x 400mm
- Versatile display positioning at any point along the height of the 2" (50mm) diameter Extension Pole



MOD-AUB

UNIVERSAL MOUNTING

Installs to wood joist and concrete or to truss/pipes via U-Bolt Adaptor Accessory (MOD-AUB)

INTEGRATED CABLE MANAGEMENT

Runs through Pole with open access at both ends for ease of use

QUICK CONNECT DESIGN

Includes simple hook-on feature, with +20° to -5° tilt and locks at every 5° increment

MATCH ANY DECOR

Extension Pole available in black or zinc plated



Tilt Bracket



Accessory Cover for Ceiling Plate, MOD-CPF

RoHS



MOD-FCSKIT300(-B) Modular Series Floor-to-Ceiling Kit for up to 75" Displays

Product Specifications

	DIMENSIONS (W X H X D)	PRODUCT WEIGHT	LOAD CAPACITY	FINISH	AVAILABLE COLORS
MOD-FCSKIT300(-B)	4.38" x 120.11" x 7.48" (619 x 3051 x 190mm)	26.05lb (11.8kg)	132lb (60kg) per display	Powder Coat	MOD-FCSKIT300: Black/zinc plated MOD-FCSKIT300-B: Black

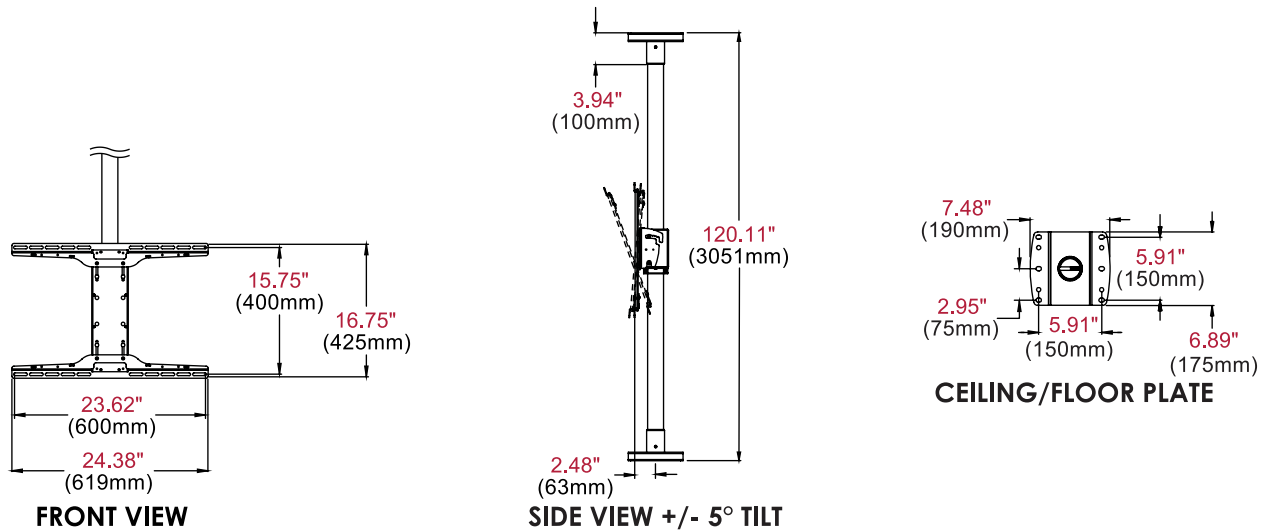
Package Specifications

	PACKAGE SIZE (W x H x D)	PACKAGE SHIP WEIGHT	PACKAGE UPC CODE	PACKAGE CONTENTS	UNITS IN PACKAGE
MOD-FCSKIT300(-B)	BOX 1: 31.75" x 12.26" x 4.13" (807 x 311 x 105mm)	BOX 1: 16.1lb (7.3kg)	MOD-FCSKIT300: 735029282532	- 2 each MOD-CPF Heavy-duty Flat Ceiling Plate - MOD-P300 118" (3m) Extension Pole	1
	BOX 2: 120.00" x 2.50" (3048 x 64mm)	BOX 2: 15.5lb (7.0kg)	MOD-FCSKIT300-B: 735029290162	- MOD-ASC Display Stacking Clamp - MOD-FPMS Single Screen Mount - MOD-UNL Large Universal Adaptor	

Accessories

- | | | |
|---|--|--|
| MOD-ACF(-W): Accessory Cover for MOD-CPF Ceiling Plate | MOD-CPC(-W): Ceiling Plate, Cathedral | MOD-P150(-B): 50mm Extension Pole - 59" (1.5m) |
| MOD-ADF: Accessory Drill Fixture for 50mm Extension Pole | MOD-CPF: Square Ceiling Plate, Flat (7.4" x 6.8") | MOD-P200(-B): 50mm Extension Pole - 78" (2.0m) |
| MOD-APC: Accessory Pole Coupler | MOD-CPI: I-Beam Ceiling Plate, Flat | MOD-P300(-B): 50mm Extension Pole - 118" (3.0m) |
| MOD-ASC: Accessory Screen-Stacking Clamp | MOD-FPMD: Flat Panel Mount, Dual Back-To-Back | MOD-UNL: Universal Screen Adaptor, Large |
| MOD-ATD-W: Accessory Trim Disc | MOD-FPMS(-W): Flat Panel Mount, Single | MOD-UNM: Universal Screen Adaptor, Medium |
| MOD-AUB: Accessory U-Bolt Adaptor | MOD-P100(-B): 50mm Extension Pole - 39" (1.0m) | |

All dimensions = inch (mm)



Architect Specifications

The Modular Series Floor-to-Ceiling Kit shall be a Peerless-AV model MOD-FCSKIT300(-B) and shall be located where indicated on the plans. Assembly and installation shall be done according to instructions provided by the manufacturer.