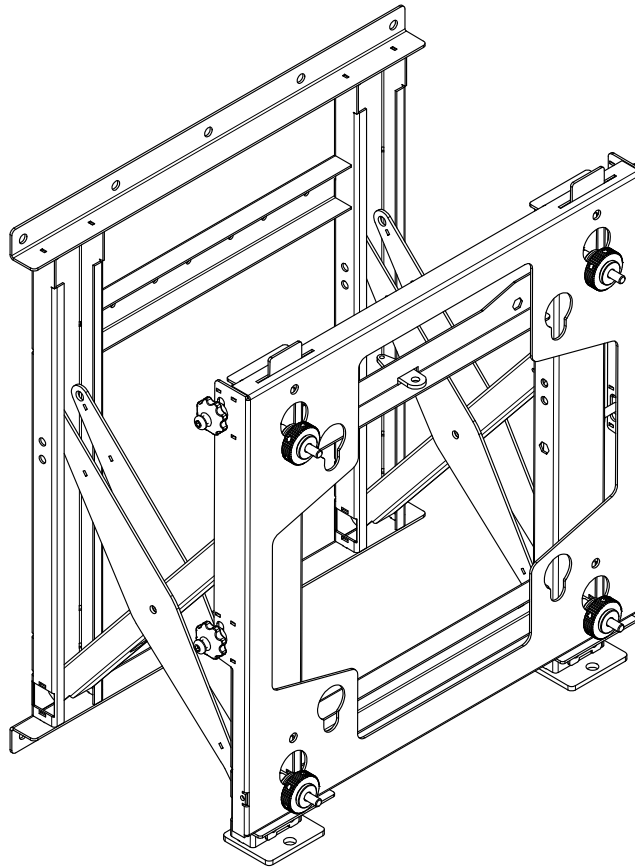


INSTALLATION AND USE INSTRUCTIONS

Pantograph videowall with quick lock push system

Cod. 5920



Warning


For correct and safe use

This manual contains instructions and drawings for correct and safe use of the product. Non-compliance with descriptions and drawings and/or improper use of the product could cause the effects specified below.

Please note the following hazard symbols before reading the remainder of this session, and follow the instructions thoroughly.

⚠ Danger: any failure in observing these instructions could lead to death or serious injuries.

⚠ Warning: any failure in observing these instructions could lead to failure or damage to objects.

Meaning of the symbol: the  symbol warns against doing something



Special precautions for safety.

Danger



- Follow the instructions reported in this manual about the installation method. Any failure in observing these instructions could lead to damage or injuries due to MONITOR set or other objects falling down.
- Please use qualified personnel for installation
- Make sure that the wall where the MONITOR set has to be installed can bear the weight of the MONITOR set itself.
- Do not apply any other weight to the MONITOR set or the bracket. This could make the MONITOR set fall down and cause injuries or damage to objects.
- Do not change or alter the components for installation. This make the MONITOR set fall down and cause injuries or damage to objects.

Warning

Carry out the installation in places without humidity or dust.

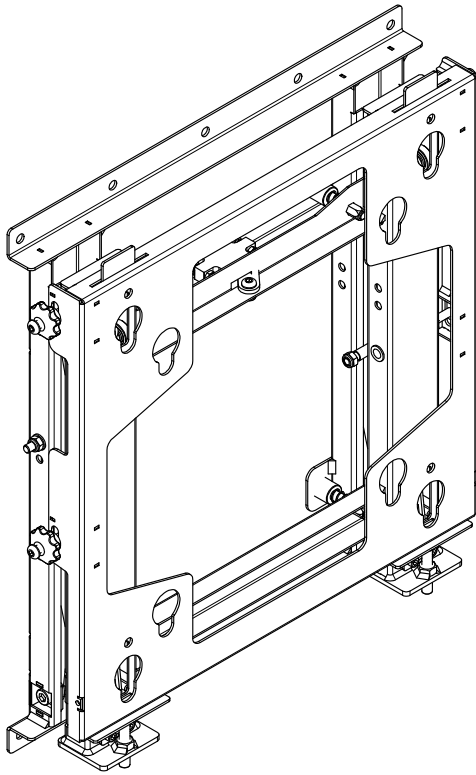
-  - Do not install the MONITOR screen in places with a high degree of humidity and dust. This could bring about fire or electric shocks.
-  - Do not install the MONITOR screen in places where it could get in contact with fumes or vapours. This could bring about fire or electric shocks.

Carry out the installation in a well vented area.

-  - Do not obstruct the holes for air passage on the MONITOR screen. This could bring about fire.
-  - Do not place the MONITOR set in a poorly vented place.

Please take careful note of the following: use qualified personnel for the installation. The producer will not bear responsibility for any improper installation or any accident, damage or injury that may come arise from incorrect installation.

PARTS OF THE PACKAGE



PANTOGRAPH BRACKET
1 X

R



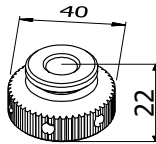
WASHER Ø8
4 X

V



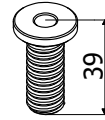
SCREW M8X55
4 X

G



ADJUSTABLE RING
4 X

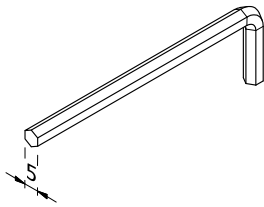
P



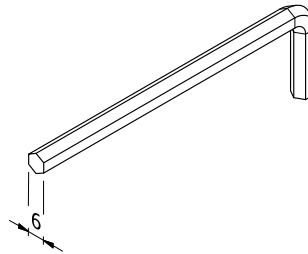
THREADED BOLT
4 X

TOOLS

NOT INCLUDED IN THE PACKAGE

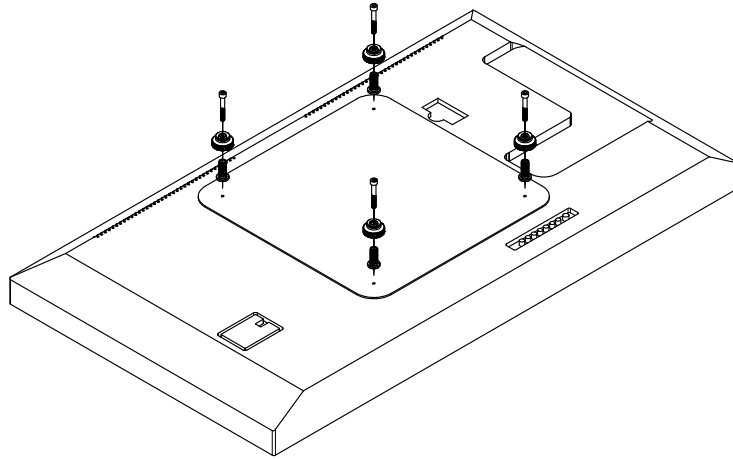
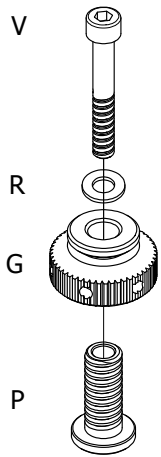


ALLEN KEY 5mm



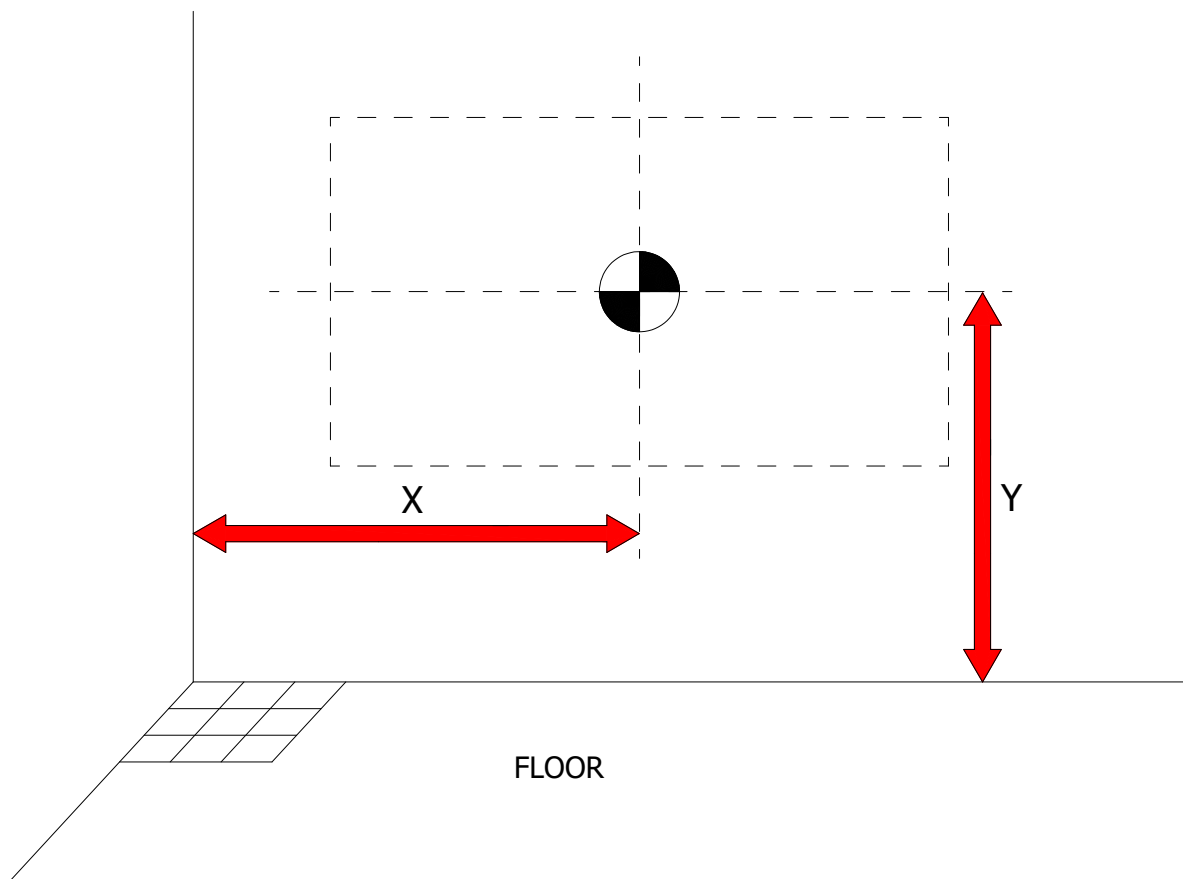
ALLEN KEY 6mm

RING AND BOLTS ON SCREEN INSTALLATION

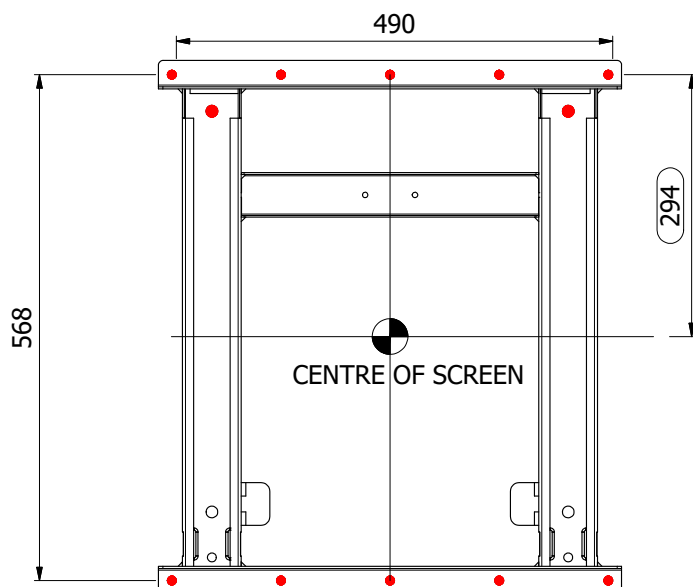


MOUNT ON THE BACK OF SCREEN THE ADJUSTABLE RING (G) +
THREADED BOLT (P) WITH THE SCREW (V) AND WASHERS (R).

DETERMINE THE CENTRE OF THE SCREEN



MARK ON THE WALL THE HOLES FOR SUITABLE ANCHOR

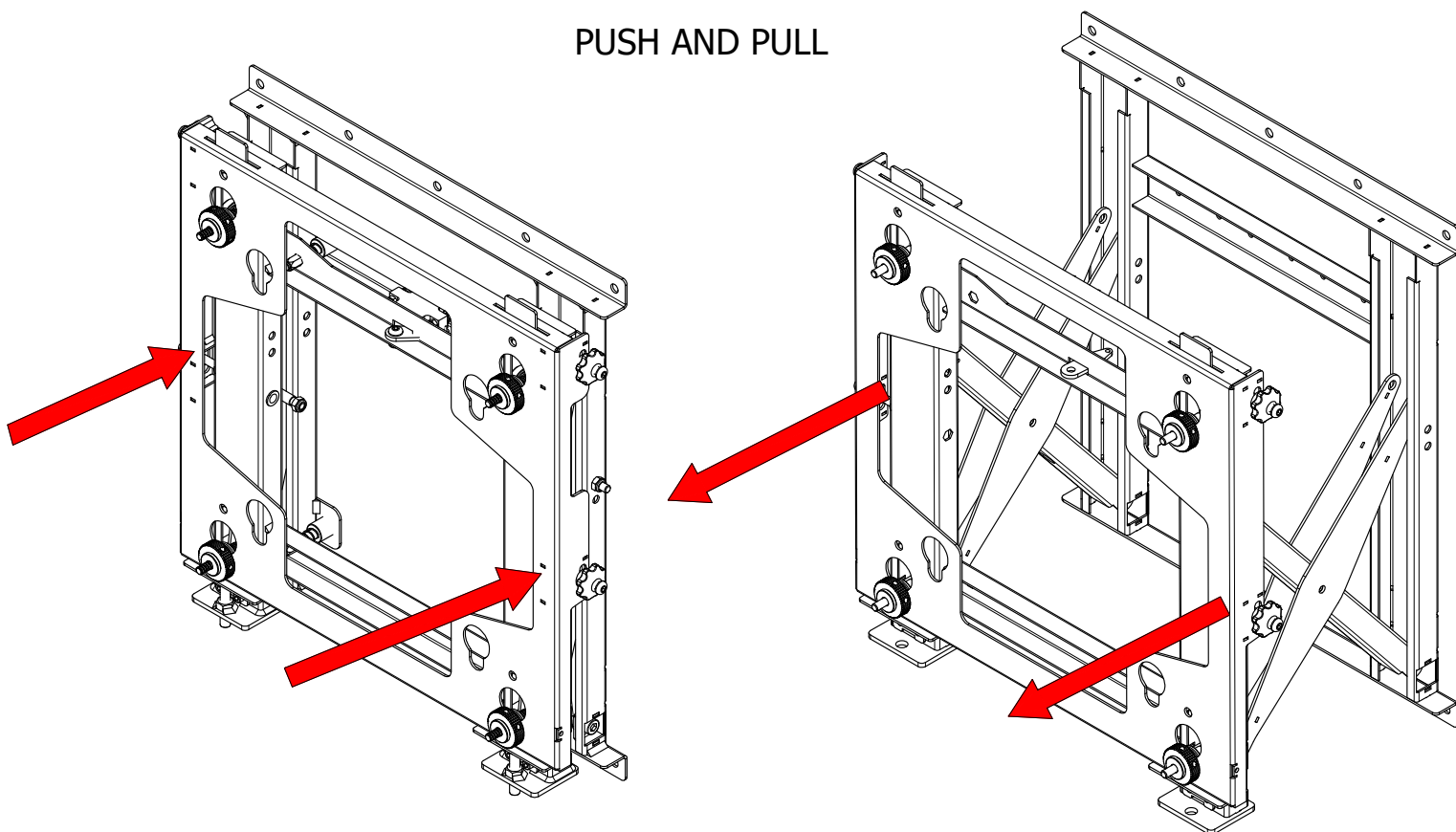


WARNING

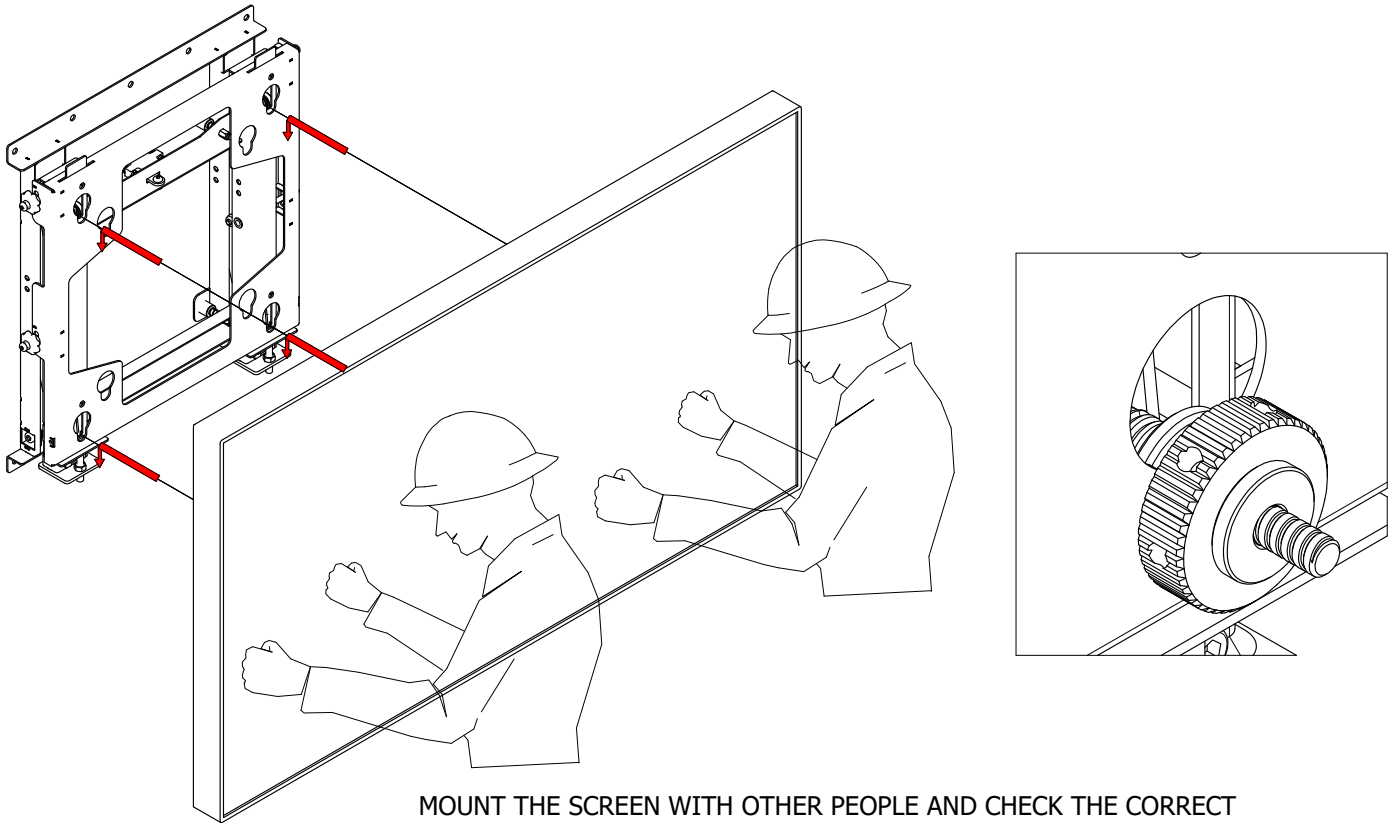
USE MINIMUM 4 SUITABLE ANCHOR FOR THE UP SIDE AND MINIMUM 2 SUITABLE ANCHOR FOR THE DOWN SIDE. UTILIZE STEEL ANCHORAGES WITH MINIMUM DIAMETER OF 6mm

CHECK THE CORRECT WORK OF PANTOGRAPH

PUSH AND PULL



MOUNTING SCREEN



ADJUSTMENT

